

Board-level Industrial Cameras

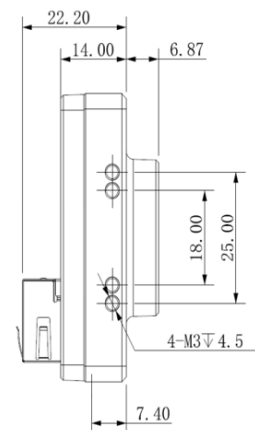
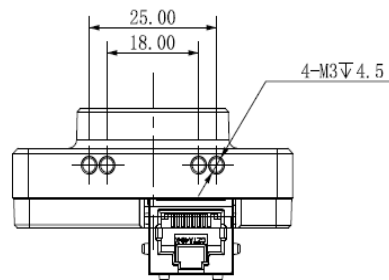
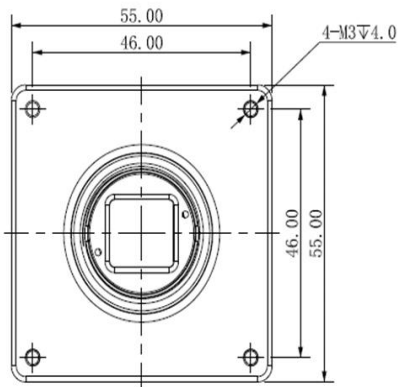
AB3131MG023E

Product Features

- Gigabit Ethernet interface, providing 1Gbps bandwidth with a maximum transmission distance of 100m;
- 128MB on-board cache for data transmission or image resend;
- Support Software Trigger/Hardware Trigger/Free Run Mode;
- Sharpness/Denoising/Gamma/LUT/BlackLevel Correction/TargetBrightness/Contrast etc.;
- Support multiple image data formats output/ROI/Binning/Mirror, etc.;
- Conform to GigE Vision V2.0 protocol and GenICam standard;
- DC 4V~24V wide voltage power supply;;
- Conform to CE, FCC, RoHS;



Dimensions (mm)



Technical Specifications

Model Name	AB3131MG023E
Sensor	PYTHON 1300
Sensor Type	1/2"CMOS
Shutter	Global
Resolution	1280 x 1024
Frame Rate	60
Bit Depth	10
Mono/Color	Mono
Pixel Size	4.8x4.8
Pixel	1.3MP
S/N Ratio	38dB
WDR	60dB
Image Format	Mono8/10/10Packed
Binning	Support
Decimation	Support
ROI	Support
X-axis Flip	Support
Y-axis Flip	Support
Gain	1~32
Gamma	from 0 to 4, support LUT
Exposure Time	1 μ S~1S
Sync Mode	Software Trigger/Hardware Trigger/Free Run Mode
SPC	Support
FPN	Support
User Setting	Support two sets of user-defined configurations
Cache	64MB
Port	GigE
GPIO	8-pin 1.25 spacing row plug interface, 1x Opto-isolated input, 1x Opto-isolated output, 1x GPIO input
Lens Mount	CS
Power Supply	DC 9V~24V power supply via 8-pin 1.25 spacing row plug interface
Power Consumption	12V \approx 3.4W
Dimensions	55mm*55mm*14mm
Weight	80g
Working Environment	Storage: - 30°C~+80°C; Operation: - 30°C~+50°C

© 2021 IRAYPLE. All rights reserved. Design and specifications are subject to change without notice.
Pictures in the document are for reference only, and the actual product shall prevail.